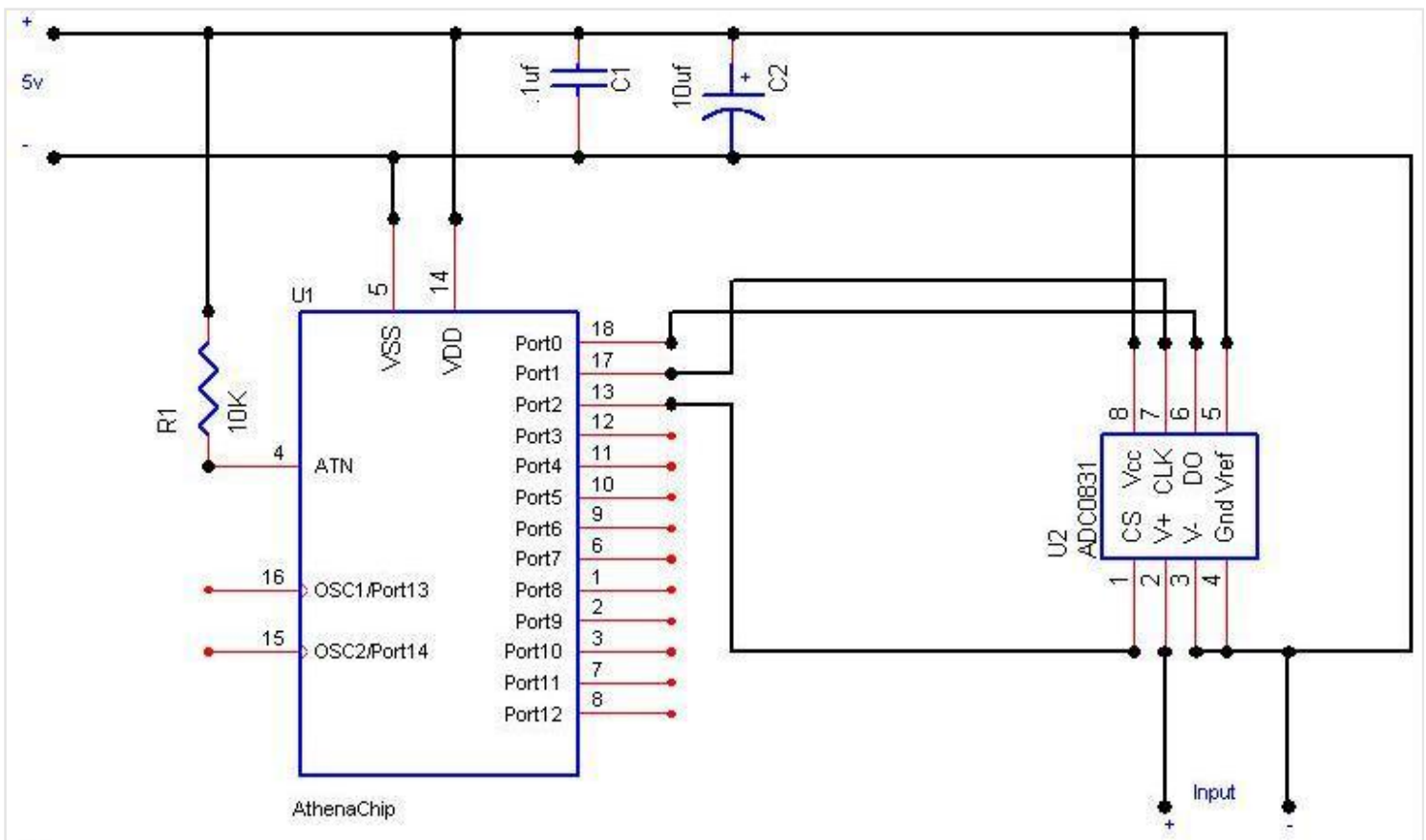




Athena to ADC0831 8-Bit AtoD Converter

There are many cases with the Athena where you may want to measure an actual voltage. The built-in miniad will give you two 4-bit AtoD ports capable of measuring 0-3.5v in 16 levels. In some cases this may not give you enough resolution. While there are plenty of analog to digital chips on the market I found the popular ADC0831 is a very easy to use chip. It requires three programming leads and utilizes a synchronous serial output.

You set the CS lead on the 831 low then pulse in a data bit with clk lead.



```
dim retdat

const DAT 0
const CLK 1
const CS 2

output CS
output CLK
input DAT

loop:
  gosub getdata
  print retdat
  pause 100
  goto loop
```

```
'-----
'ADC0831 Subroutine
getdata:
  low CS
  low CLK
  pulseout CLK,1
  shiftin DAT,CLK,200,retdat
  high CS
  return
```

Athena - ADC0831

Related Products

Athena<http://kronosrobotics.com/xcart/customer/product.php?productid=16276>
EZRS232 Driver<http://kronosrobotics.com/xcart/customer/product.php?productid=16167>
ADC0831<http://kronosrobotics.com/xcart/customer/product.php?productid=16218>

Athena EDU<http://kronosrobotics.com/xcart/customer/product.php?productid=16299>
7.5v Switching AC Adapter<http://kronosrobotics.com/xcart/customer/product.php?productid=16305>
9 Pin Cable<http://kronosrobotics.com/xcart/customer/product.php?productid=16259>
Breadboard & Wire Kit<http://kronosrobotics.com/xcart/customer/product.php?productid=16303>